

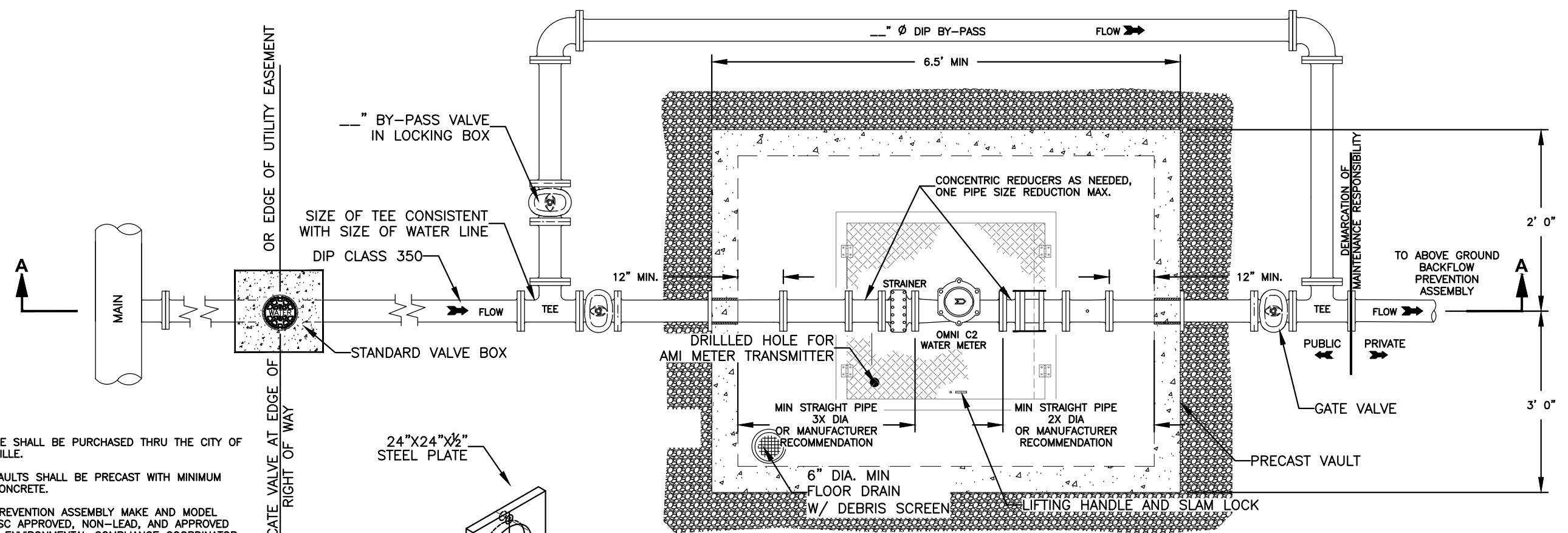


# 3" THRU 8" METER & VAULT

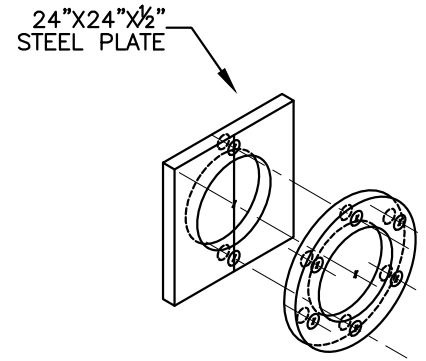
## DETAIL

**GENERAL NOTES:**

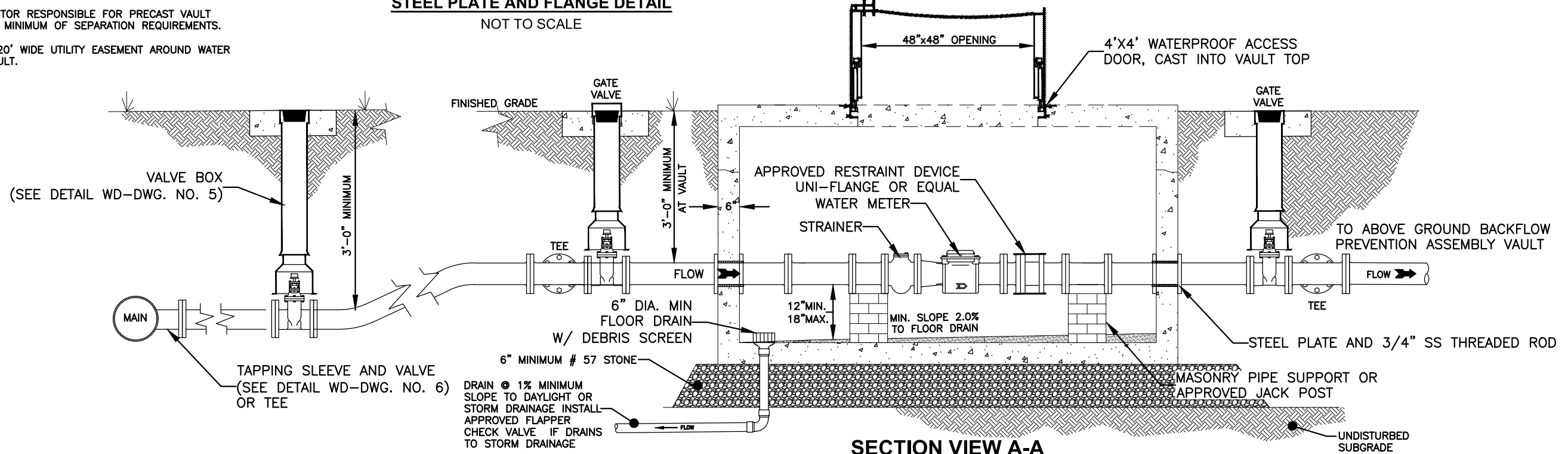
- METER DEVICE SHALL BE PURCHASED THRU THE CITY OF HENDERSONVILLE.
- CONCRETE VAULTS SHALL BE PRECAST WITH MINIMUM 4,000 PSI CONCRETE.
- BACKFLOW PREVENTION ASSEMBLY MAKE AND MODEL SHALL BE USC APPROVED, NON-LEAD, AND APPROVED BY THE CITY ENVIRONMENTAL COMPLIANCE COORDINATOR OR AUTHORIZED REPRESENTATIVE. BACKFLOW PREVENTION ASSEMBLY SHALL BE INSTALLED IN ACCORDANCE WITH MANUFACTURER RECOMMENDATION WITHIN AN ABOVE GROUND HEATED ENCLOSURE DIRECTLY BEHIND THE WATER METER. THE METER WILL NOT BE PROVIDED UNTIL THE INSTALLATION OF AN APPROVED BACKFLOW PREVENTION ASSEMBLY IS VERIFIED BY THE CITY.
- ALL FITTINGS AND APPURTENANCES OUTSIDE OF THE VAULT SHALL BE PROPERLY RESTRAINED.
- CONTRACTOR RESPONSIBLE FOR PRECAST VAULT TO MEET MINIMUM OF SEPARATION REQUIREMENTS.
- PROVIDE 20' WIDE UTILITY EASEMENT AROUND WATER METER VAULT.



**PLAN VIEW**  
NOT TO SCALE



**STEEL PLATE AND FLANGE DETAIL**  
NOT TO SCALE



**SECTION VIEW A-A**  
NOT TO SCALE

NOTE:  
VAULT DIMENSIONS WILL VARY  
DEPENDING ON MANUFACTURER

WD DWG. NO. 18

DATE: 09/23/2022

SCALE: NOT TO SCALE

City of Hendersonville Engineering Department  
305 Williams Street  
Hendersonville, NC 28792  
(828) 697-3000 (office)  
[www.cityofhendersonville.org](http://www.cityofhendersonville.org)