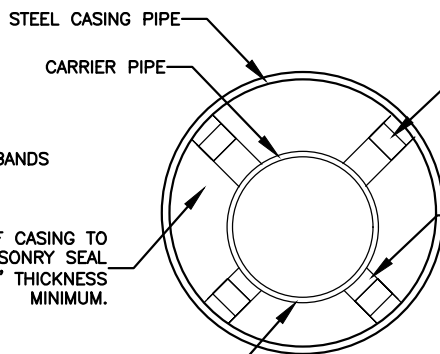


CASING END SEAL

RESTRAINED: KEEPS CARRIER AT BOTTOM OF CASING WHILE RESTRAINING AGAINST MOVEMENT



NUMBER OF RISER/RUNNERS REQ'D FOR STANDARD SPACERS
4 RUNNERS 8"-24" PIPE
6 RUNNERS 24"-36" PIPE
7 RUNNERS 36"-48" PIPE

SPACERS AND RUNNERS FOR 24" PIPES & LESS PLACED 10' O.C. AND NO MORE THAN 5' FROM EACH END OF CASING PIPE. SEE TECHNICAL SPECS.

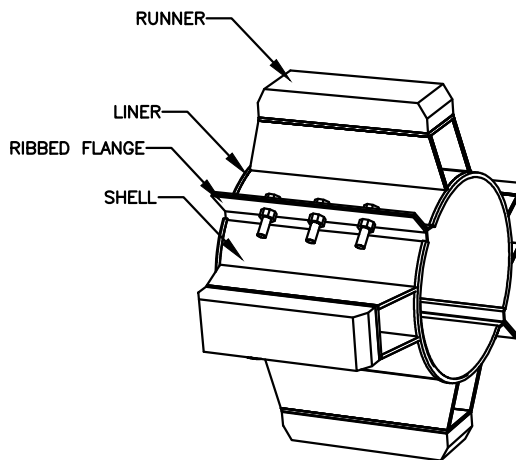
ENDS OF CASING TO HAVE MASONRY SEAL WITH 8" THICKNESS MINIMUM.

INVERT ELEVATIONS AND GRADES SPECIFIED ON SEWER PROFILE DRAWINGS.

POSITIONING

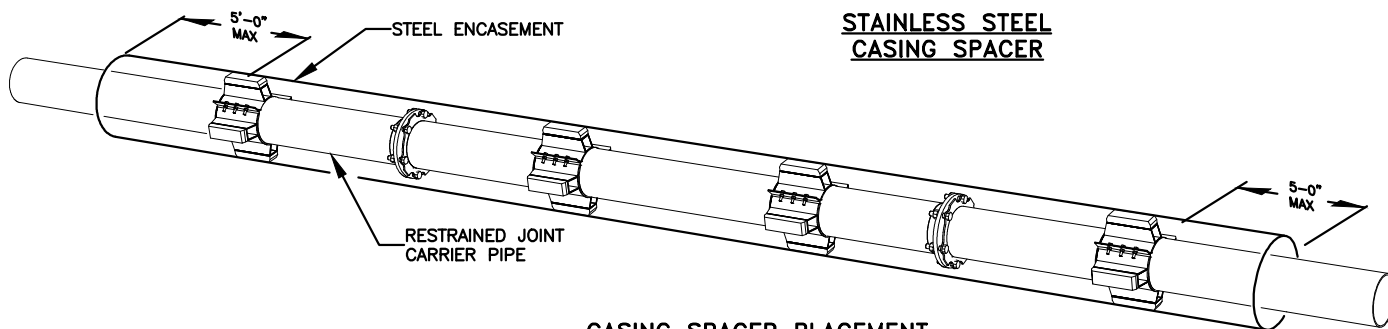
NOTES:

1. RESTRAINED POSITIONING TO BE USED AT ALL TIMES.
2. CARRIER PIPE JOINTS SHALL BE MECHANICALLY RESTRAINED, DUCTILE IRON OR C900 PVC ONLY.
3. STAINLESS STEEL CASING SPACERS SHALL BE STYLE CCS AS MANUFACTURED BY CASCADE WATERWORKS MFG. CO. OF YORKVILLE, IL OR ENGINEER APPROVED EQUIVALENT.
4. CASING END SEAL SHALL BE STYLE CCES AS MANUFACTURED BY CASCADE WATERWORKS MFG. CO. OF YORKVILLE, IL OR ENGINEER APPROVED EQUIVALENT.



STAINLESS STEEL CASING SPACER MIN. OF 2 PER STICK OF CARRIER PIPE (10' O.C. AND NOT MORE THAN 5' FROM EACH END OF CASING PIPE SPACING TYP.)

STAINLESS STEEL CASING SPACER



CASING SPACER PLACEMENT DIAGRAM

DATE: 01/12/2019

WD DWG. NO. 16

SCALE: NOT TO SCALE

City of Hendersonville Engineering Department
305 Williams Street
Hendersonville, NC 28792
(828) 697-3000 (office)

www.cityofhendersonville.org

CARRIER PIPE IN STEEL ENCASEMENT

DETAIL

