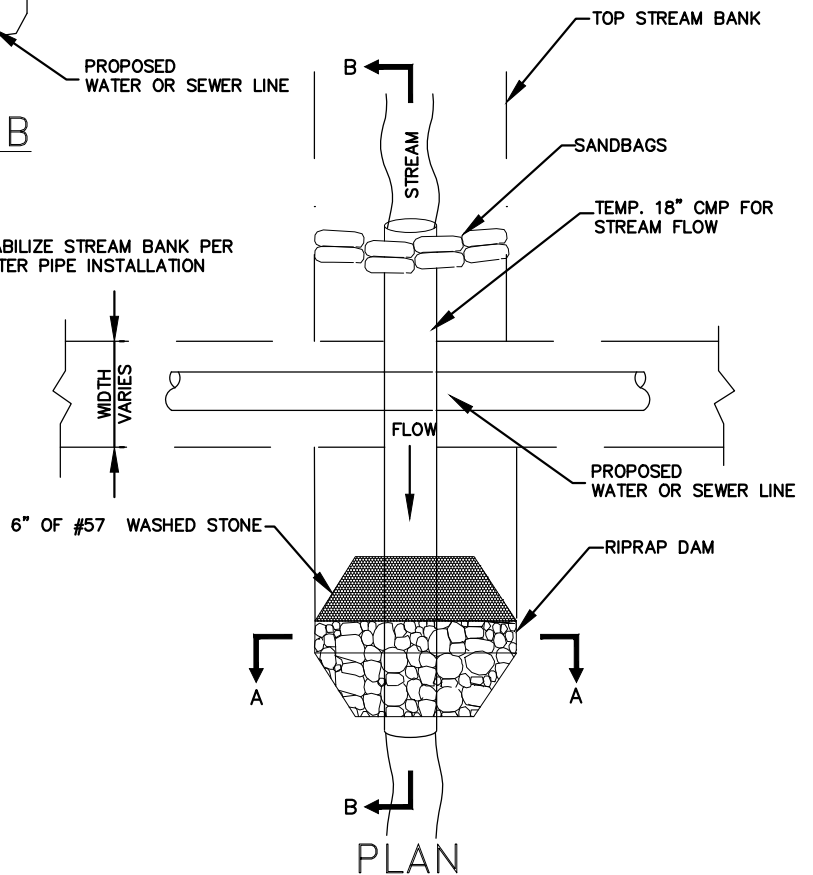


NOTE: STABILIZE STREAM BANK PER DETAIL AFTER PIPE INSTALLATION



NOTE: ALL DISCHARGE FROM DEWATERING THE WORK AREA SHALL BE PUMPED TO EITHER A TEMPORARY SEDIMENT TRAP OR DEWATERING SILT BAG PER DETAILS

DATE: 01/12/2019 SS-D DWG. NO. 21

SCALE: NOT TO SCALE

City of Hendersonville Engineering Department
 305 Williams Street
 Hendersonville, NC 28792
 (828) 697-3000 (office)
www.cityofhendersonville.org

SMALL CREEK CROSSING

