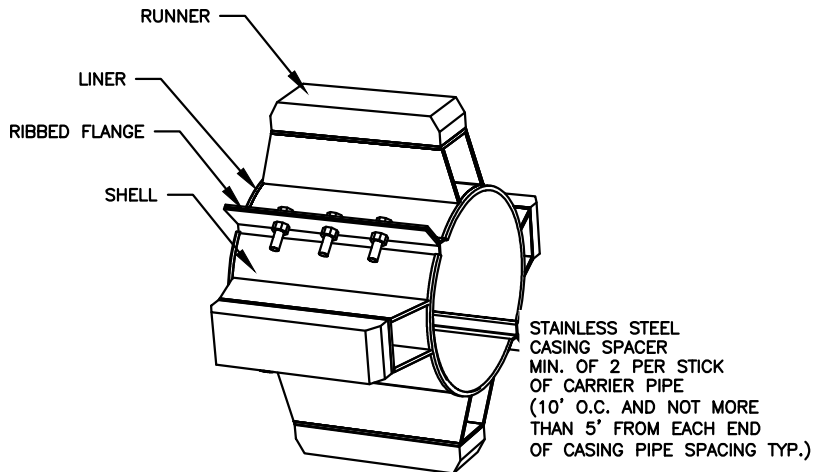


CASING END SEAL

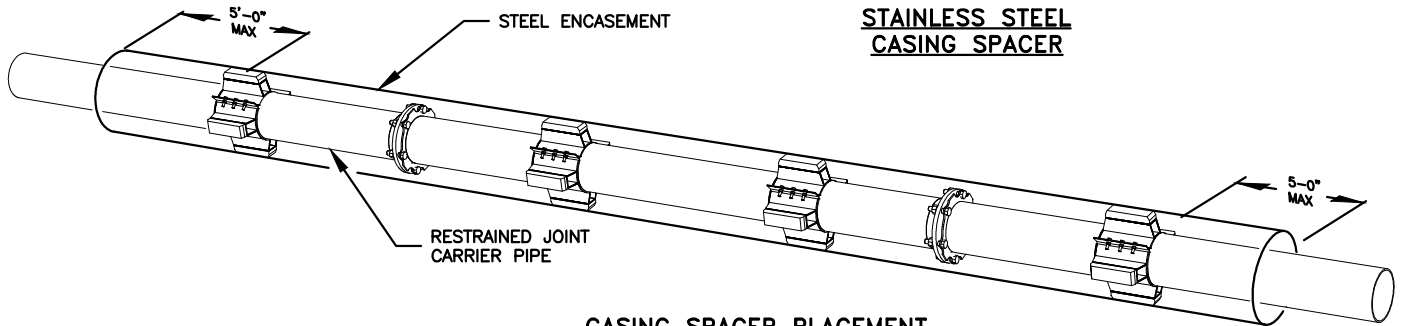
POSITIONING

NOTES:

1. RESTRAINED POSITIONING TO BE USED AT ALL TIMES.
2. CARRIER PIPE JOINTS SHALL BE MECHANICALLY RESTRAINED, DUCTILE IRON OR C900 PVC ONLY.
3. STAINLESS STEEL CASING SPACERS SHALL BE STYLE CCS AS MANUFACTURED BY CASCADE WATERWORKS MFG. CO. OF YORKVILLE, IL OR ENGINEER APPROVED EQUIVALENT.
4. CASING END SEAL SHALL BE STYLE CCES AS MANUFACTURED BY CASCADE WATERWORKS MFG. CO. OF YORKVILLE, IL OR ENGINEER APPROVED EQUIVALENT.



STAINLESS STEEL CASING SPACER



CASING SPACER PLACEMENT DIAGRAM

DATE: 01/12/2019 SS-D DWG. NO. 14

SCALE: NOT TO SCALE

City of Hendersonville Engineering Department
 305 Williams Street
 Hendersonville, NC 28792
 (828) 697-3000 (office)

www.cityofhendersonville.org

**PIPE BORING
 AND
 ENCASEMENT**

