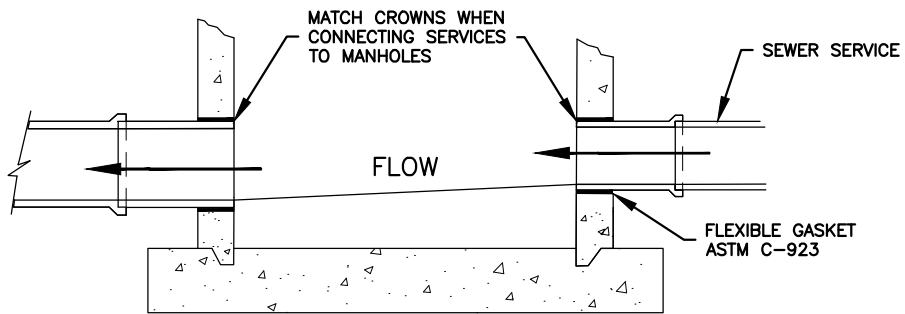


**PLAN**

N.T.S.



**SECTION**

N.T.S.

DATE: 01/12/2019 SS-D DWG. NO. 5

SCALE: NOT TO SCALE

City of Hendersonville Engineering Department  
 305 Williams Street  
 Hendersonville, NC 28792  
 (828) 697-3000 (office)

[www.cityofhendersonville.org](http://www.cityofhendersonville.org)

**SERVICE CONNECTIONS  
 AT MANHOLES**

