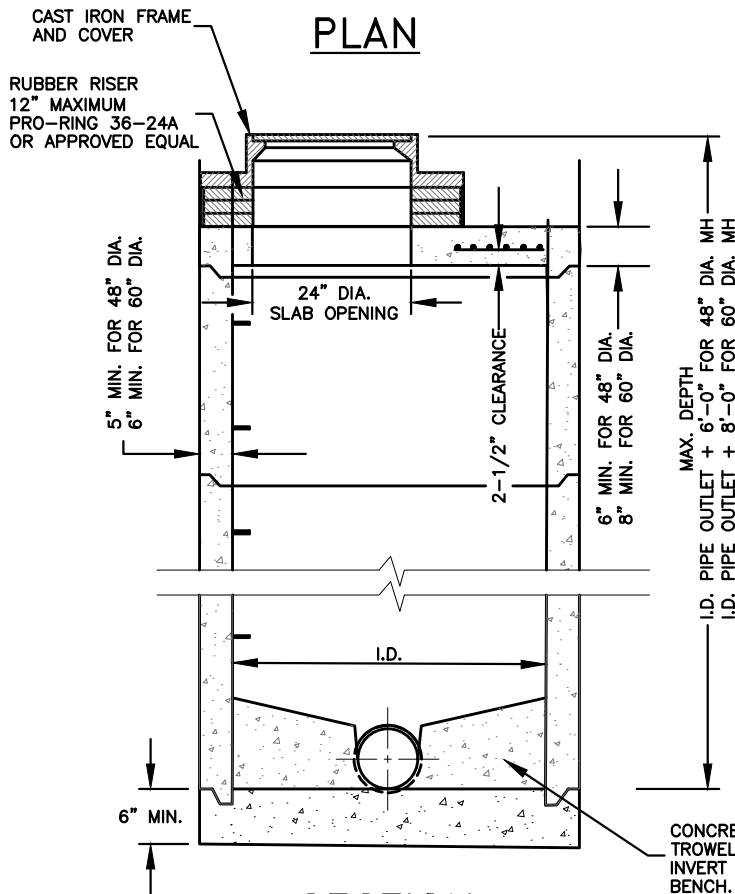


MANHOLE I.D.
 48" FOR SEWERS 8" THRU 21"
 60" FOR SEWERS 24" THRU 36"

SEE DRAWINGS:
 NO. 16 FOR GRADE ADJUSTMENT.
 NOS. 11 AND 12 FOR CASTING DETAILS.
 NOS. 15 AND 16 FOR PAVEMENT
 DETAIL AROUND CASTING.

PLAN



NOTES:

PRECAST MANHOLE SECTIONS SHALL MEET ASTM C478. MANHOLE JOINTS SHALL UTILIZE BUTYL RUBBER SEALANT, 2 PIECES ALL AROUND OR O-RING GASKETS (ASTM C443). A MINIMUM 6-INCH WIDE BUTYL RUBBER SEAL SHALL BE INSTALLED ON ALL BELOW GRADE EXTERIOR JOINTS. CONCRETE IN MANHOLES SHALL MEET THE SPECIFICATION ITEM NOS. 5 & 14.

MANHOLE STEPS SHALL BE M.A. IND. PS-1-PF REINFORCED PLASTIC STEPS OR APPROVED EQUAL. IF TOP STEP IS IN 24" DIA. OPENING IT MAY PROJECT NO MORE THAN 3-1/2".

FOR PIPE CONNECTIONS USE ASTM C-923 FLEXIBLE GASKET SUCH AS A-LOK, DURA SEAL III, KOR-N-SEAL OR APPROVED EQUAL.

TAR STRIPS SHALL BE USED AT ALL JOINTS. THE CONTRACTOR SHALL APPLY TAR OVER THE CEMENT PARGING ON THE OUTSIDE OF THE ADJUSTMENT RINGS AND OVER THE MANHOLE CASTING EXTERIOR.

SECTION

DATE: 07/10/2020 SS-D DWG. NO. 8

SCALE: NOT TO SCALE

City of Hendersonville Engineering Department
 305 Williams Street
 Hendersonville, NC 28792
 (828) 697-3000 (office)

www.cityofhendersonville.org

SHALLOW PRECAST MANHOLE

