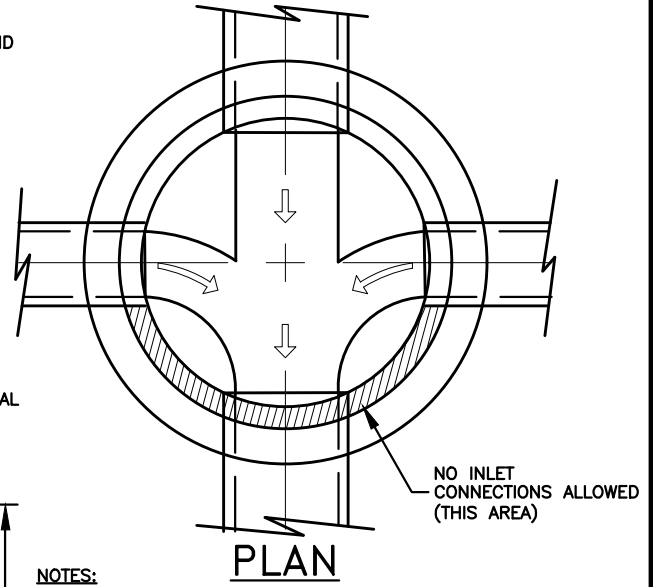
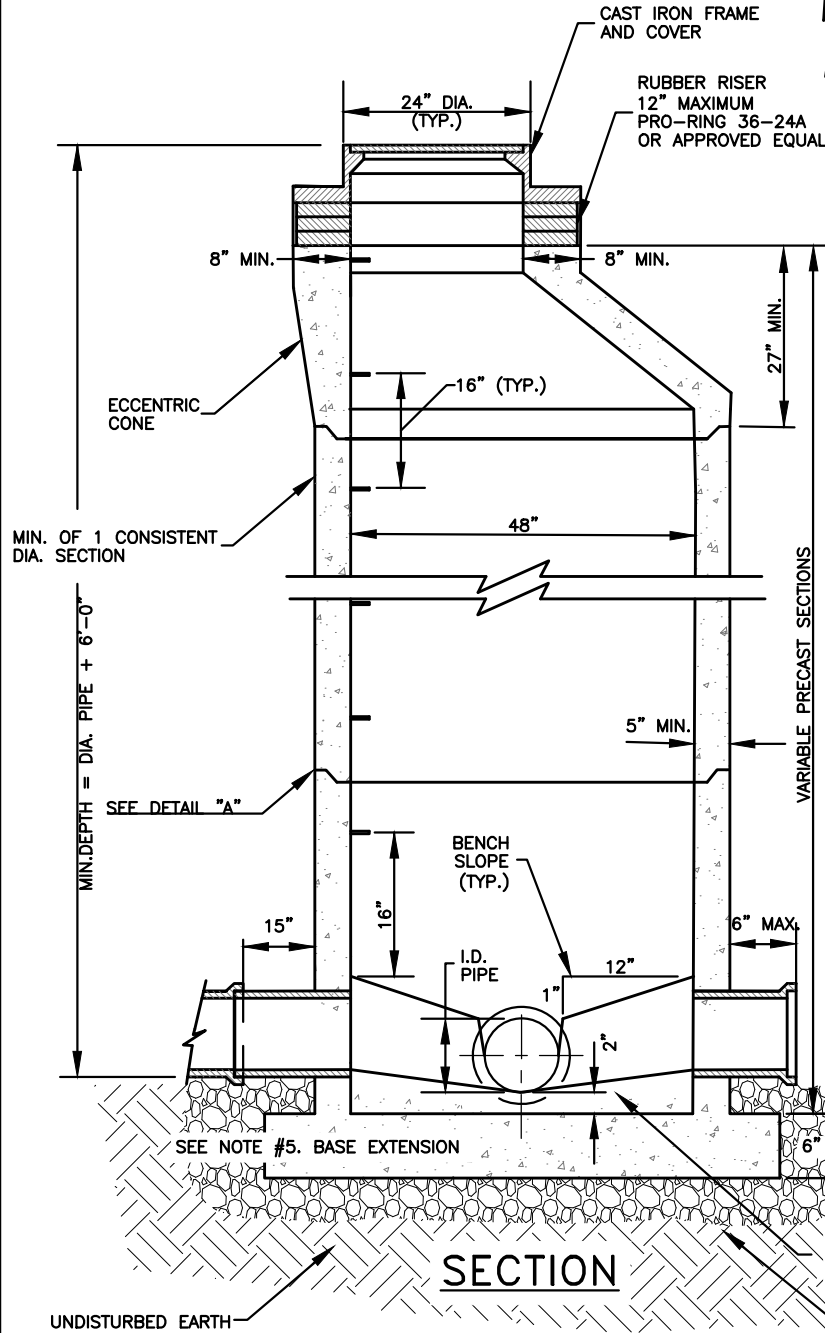


NOTE:
IF TOP STEP IS IN 24" DIA.
OPENING, IT MAY PROJECT NO
MORE THAN 3-1/2".

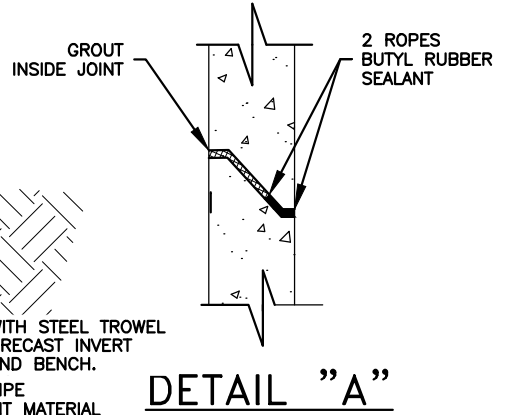
MANHOLE CASTING AND
COVER NOT SHOWN

SEE DRAWINGS:
NO. 16 FOR GRADE ADJUSTMENT.
NOS. 11 AND 12 FOR CASTING DETAILS.
NOS. 15 AND 16 FOR PAVEMENT DETAIL AROUND
CASTING.



NOTES:

1. MANHOLE STEPS SHALL BE M.A. IND. PS-1-PF REINFORCED PLASTIC STEPS OR APPROVED EQUAL.
2. FOR PIPE CONNECTIONS USE ASTM C-923 FLEXIBLE GASKET SUCH AS A-LOK, DURA SEAL III, KOR-N-SEAL OR APPROVED EQUAL.
3. TAR STRIPS SHALL BE USED AT ALL JOINTS. THE CONTRACTOR SHALL APPLY TAR OVER THE CEMENT PARGING ON THE OUTSIDE OF THE ADJUSTMENT RINGS AND OVER THE MANHOLE CASTING EXTERIOR.
4. RIM/LID FLUSH WITH GROUND IF IN ROADWAY/LANDSCAPE AREA, MINIMUM OF 2' ABOVE GRADE OTHERWISE.
5. EXTEND BASE 6" FOR 4' DIA. MANHOLE, MONOLITHICALLY CAST WITH BASE SECTION. EXTENDED BASE NOT REQUIRED FOR MANHOLES LESS THAN 8' DEEP.



DATE: 02/10/2021 SS-D DWG. NO. 6

SCALE: NOT TO SCALE

City of Hendersonville Engineering Department
305 Williams Street
Hendersonville, NC 28792
(828) 697-3000 (office)
www.cityofhendersonville.org

PRECAST MANHOLE

