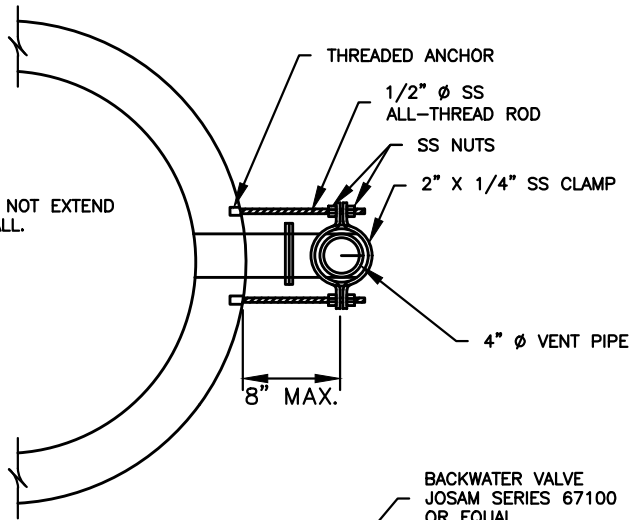
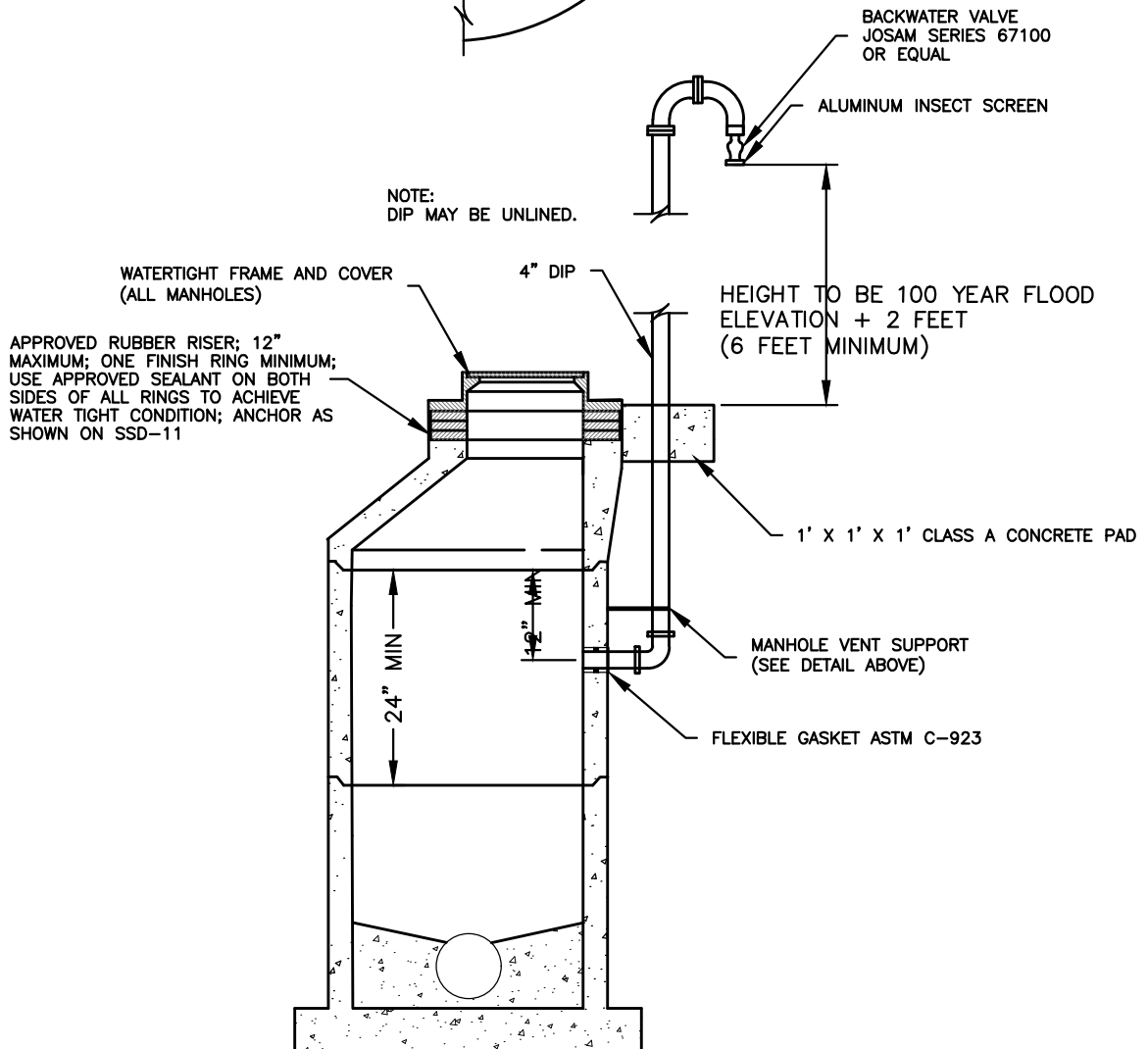


NOTE:
ANCHOR HOLES SHALL NOT EXTEND THROUGH MANHOLE WALL.



NOTE:
DIP MAY BE UNLINED.



DATE: 10/19/2023

SS-D DWG. NO. 10

SCALE: NOT TO SCALE

VENTED MANHOLE

City of Hendersonville Engineering Department
305 Williams Street
Hendersonville, NC 28792
(828) 697-3000 (office)

www.cityofhendersonville.org

